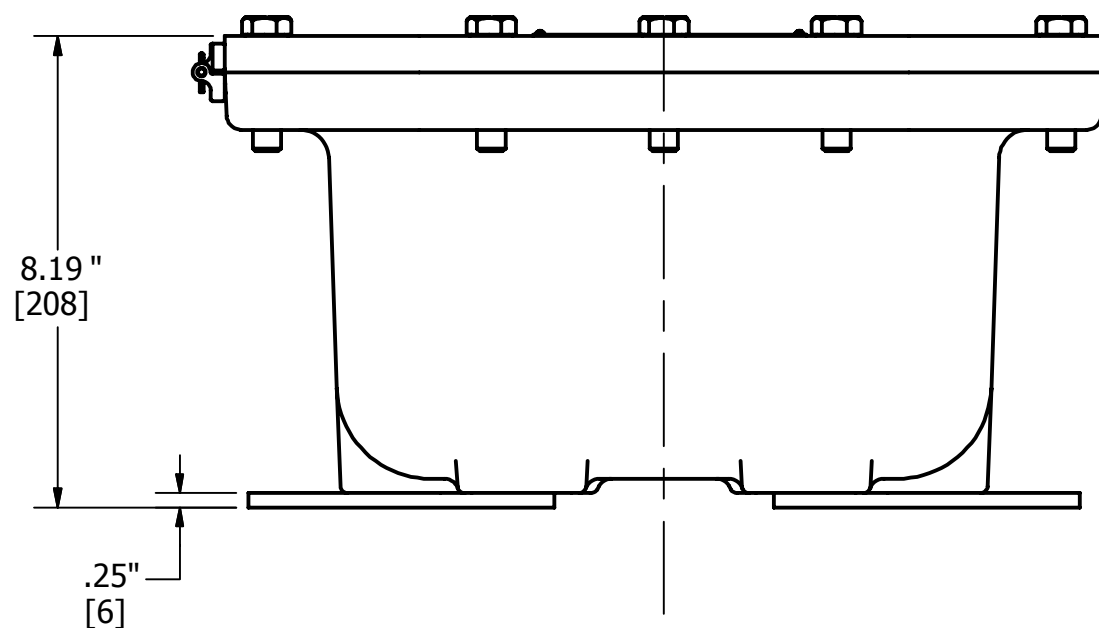
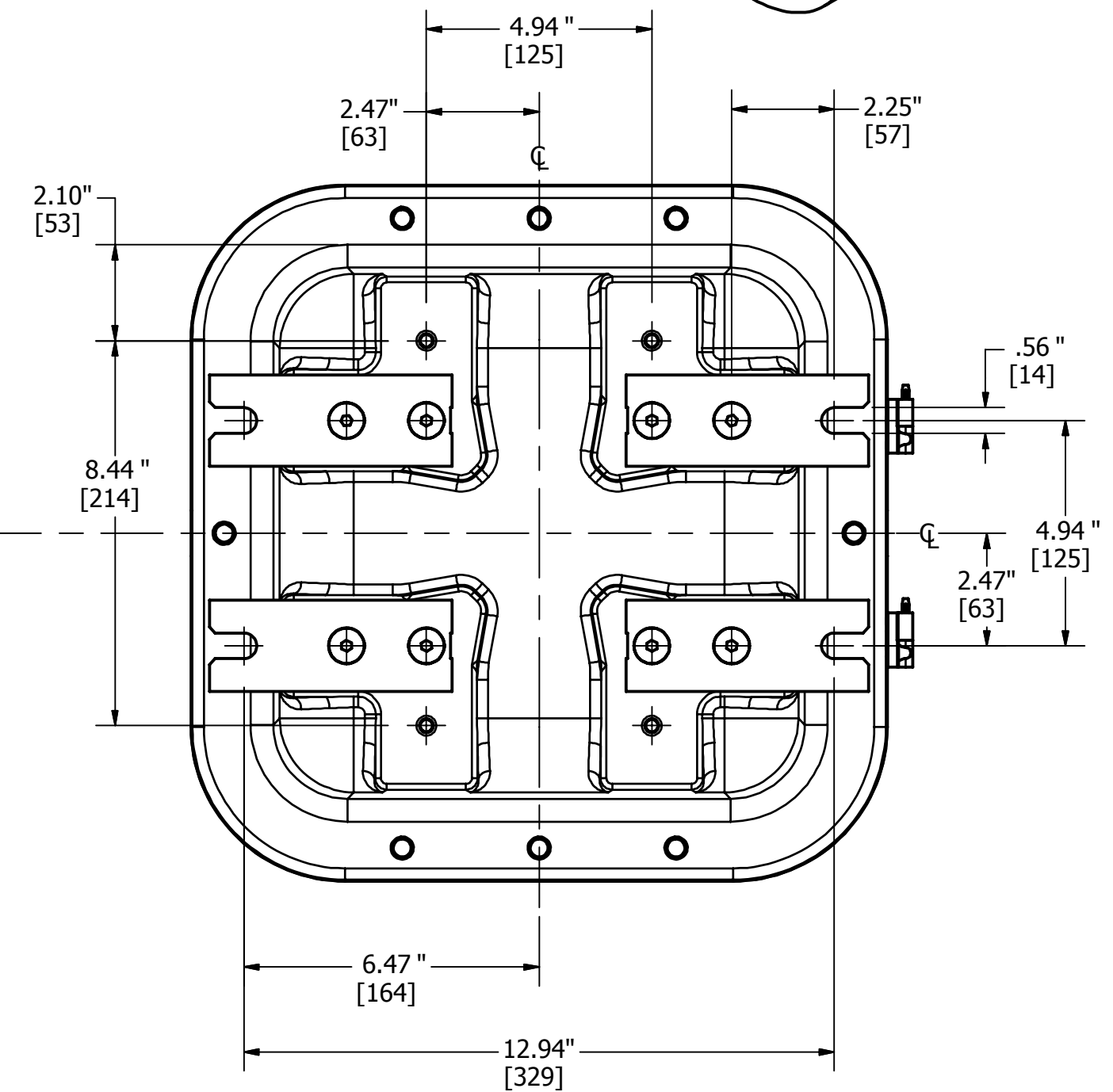
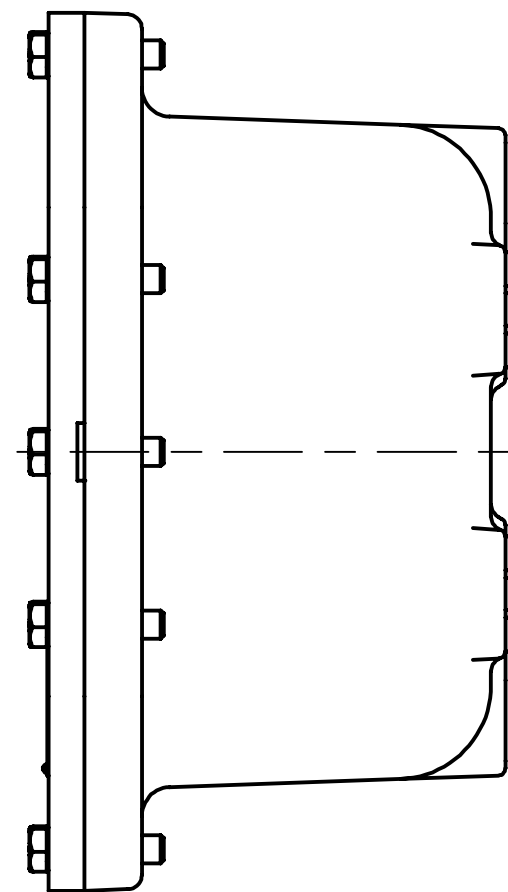
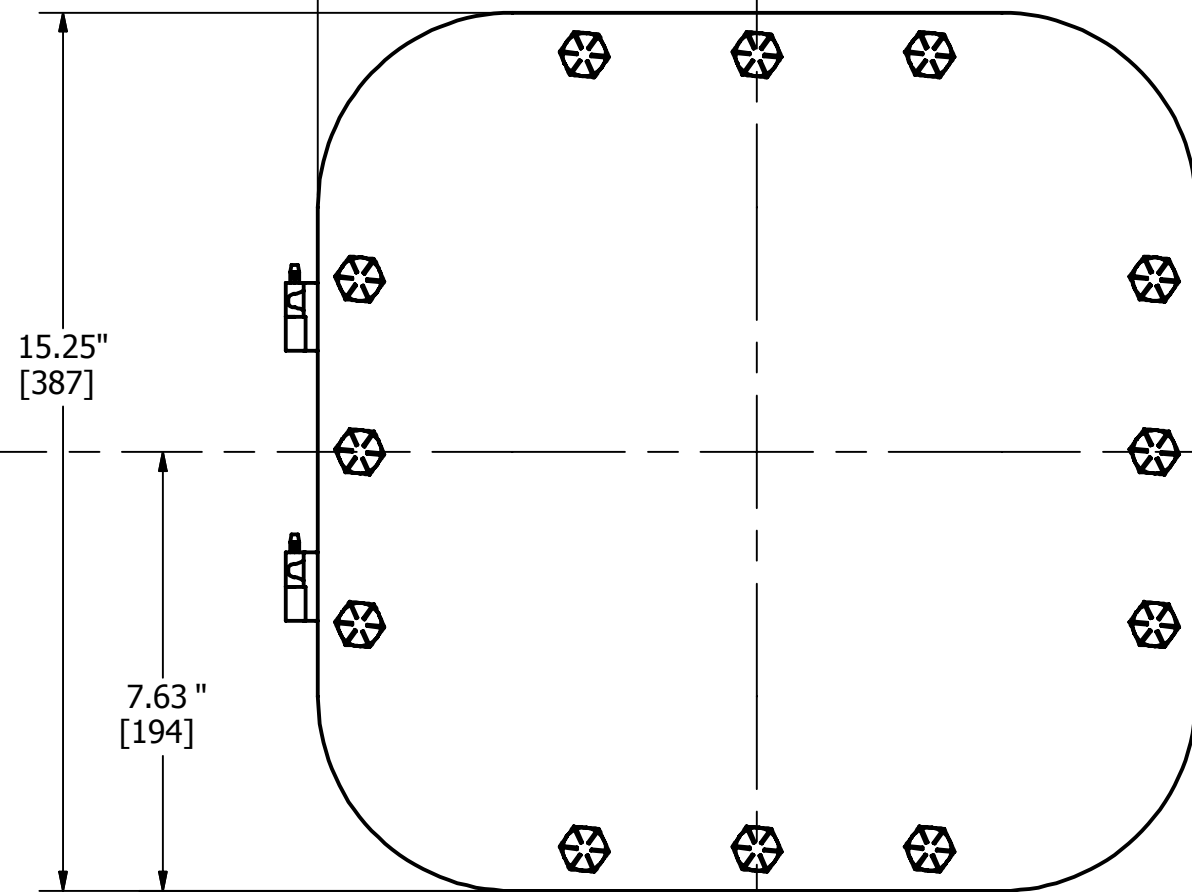
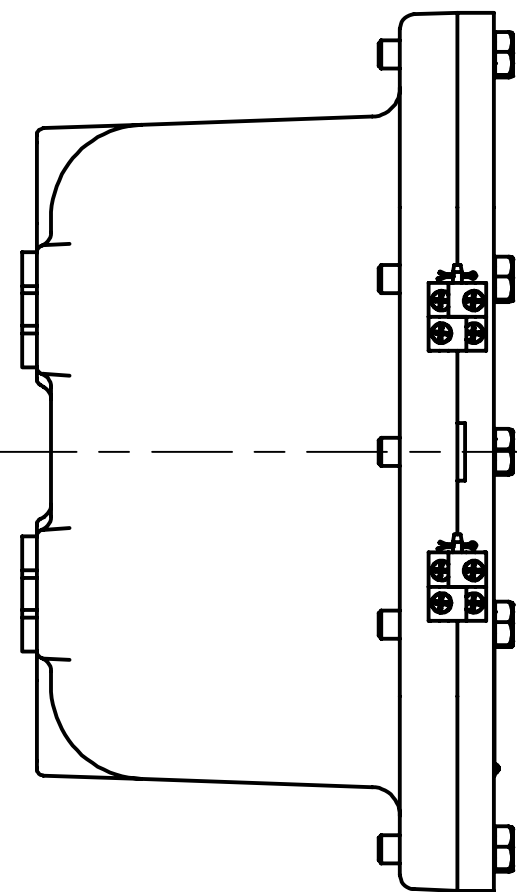


15.25" [387]
7.63" [194]



MOUNTING FEET

DESCRIPTION	EXBLTP - 10106
 KILLARK	<small>THIS DOCUMENT IS THE PROPERTY OF KILLARK. IT IS LOANED TO YOU AND MUST NOT BE USED IN ANY WAY DETRIMENTAL TO THE INTEREST OF KILLARK.</small>